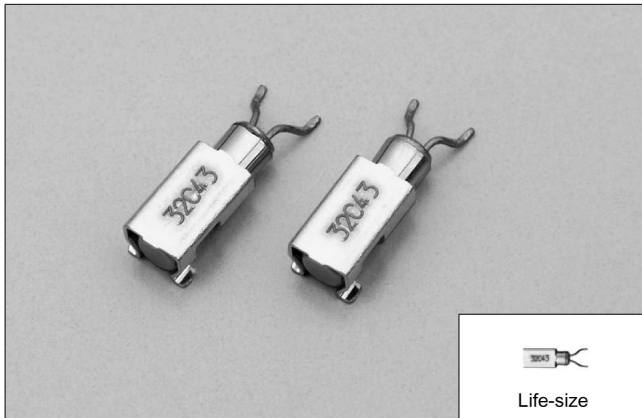


TUNING FORK CRYSTAL UNIT (SMD • Jacket Type)

RoHS Compliant Optional

CMJ206T

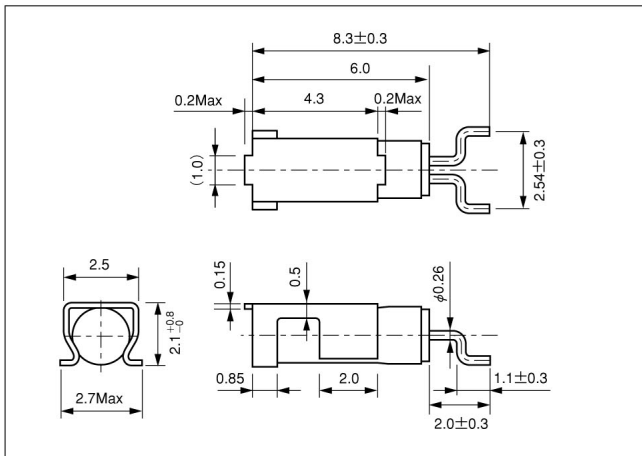
3000pcs/reel



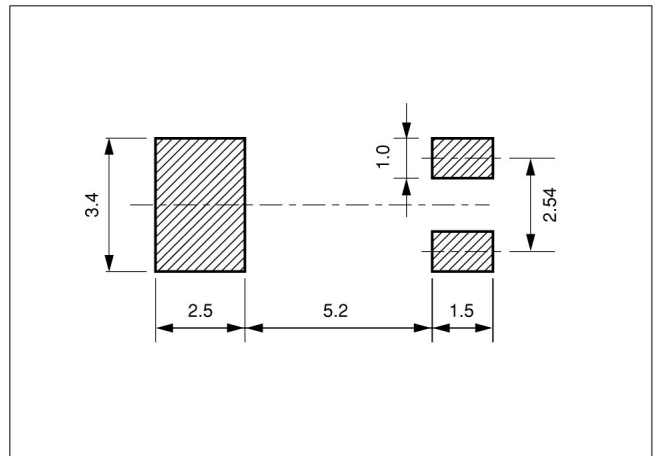
FEATURES

- High-density mounting SMD with jacket.
- Automatic mounting and reflowable Type.
- Most appropriate for clock source for portable and other various equipment with low power consumption.

DIMENSION [mm]



SOLDER PAD LAYOUT [mm]



STANDARD SPECIFICATIONS

| Item | Model | CMJ206T | Conditions |
|------------------------------|----------------|---------------------------------------|----------------------------------|
| Nominal Frequency | f_0 | 32.768kHz | |
| Frequency Tolerance | $\Delta f/f_0$ | ± 20 ppm | at 25°C |
| Load capacitance | C_L | 12.5pF | Need to specify your requirement |
| Operating Temperature Range | T_{OPR} | -40°C ~ +85°C | |
| Storage Temperature Range | T_{STR} | -55°C ~ +125°C | |
| Turnover Temperature | T_M | 25°C \pm 5°C | See figure 2 in P4 |
| Temperature Coefficient | β | -0.034 \pm 0.006ppm/°C ² | |
| Motional (series) resistance | R_1 | 50K Ω Max. | at 25°C |
| Level of drive | DL | 1 μ W Max. | |
| Aging (first year) | $\Delta f/f_0$ | ± 3 ppm Max. | 25°C \pm 3°C |
| Quality Factor | Q | 70000 Typ. | |
| Shunt capacitance | C_0 | 1.35pF Typ. | |